

Slugger Metal Cutter

Portable Metal Cutting Saw

OPERATOR'S MANUAL

WARNING!

BEFORE USE, BE SURE EVERYONE USING THIS MACHINE READS AND UNDERSTANDS ALL SAFETY AND OPERATING INSTRUCTIONS IN THIS MANUAL.



EYE PROTECTION
REQUIRED



HEARING PROTECTION
REQUIRED



NEVER PLACE
FINGERS NEAR
CUTTING AREA



LINE VOLTAGE
PRESENT



BEWARE OF
ROTATING
MACHINE PARTS



Metal Cutting Tool
7ZA6
E231568



MODEL #MCSL07 (120V)
MODEL #MCSL07-2 (240V)

Serial # _____

Date of Purchase _____

Portable Metal Cutting Saw

Congratulations on your purchase of a Slugger Metal Cutter. Please take a moment to complete and mail your product warranty registration card. Doing so will validate your machine's warranty period and ensure prompt service if needed. Thank you for selecting a product from Jancy Engineering Company.

TABLE OF CONTENTS

General Safety Rules and Specifications	3-4
Specific Safety Rules and Symbols	5-7
Functional Description	8
Assembly	9
Exploded view	10
Parts List	11
Operation	12-13
Maintenance / Changing Saw Blades	14
Accessories	14
Troubleshooting Checklist	15
Specifications	16

LIMITED WARRANTY

Jancy Engineering Company will, within twelve (12) months from the original date of purchase, repair or replace any goods found to be defective in materials or workmanship, provided the product warranty registration card has been returned to Jancy Engineering Company within thirty (30) days of purchase date. This warranty is void if tool is used on materials thicker than 3/8" (9.5 mm) solid for aluminum, 5/16" (8mm) for mild steel, or 1/4" (6.5 mm) for solid stainless steel, has been damaged by accident, neglect, improper service, or other causes not arising out of defects in materials or workmanship. This warranty does not apply to machines and/or components which have been altered, changed, or modified in any way, or subjected to use beyond recommended capacities and specifications. Electrical components are subject to respective manufacturers' warranties. All goods returned defective shall be returned prepaid freight to Jancy, which shall be the buyer's sole and exclusive remedy for defective goods. In no event shall Jancy Engineering be liable for loss or damage resulting directly or indirectly from the use of merchandise or from any other cause. Jancy Engineering is not liable for any costs incurred on such goods or consequential damages. No officer, employee or agent of Jancy is authorized to make oral representations of fitness or to waive any of the foregoing terms of sale and none shall be binding on Jancy.

**JANCY ENGINEERING RESERVES THE RIGHT TO MAKE
IMPROVEMENTS AND MODIFICATIONS TO DESIGN WITHOUT PRIOR NOTICE.**

GENERAL SAFETY RULES

WARNING! Read and understand all instructions.

Failure to follow all instructions listed below, may result in electric shock, fire and/or serious personal injury.

SAVE THESE INSTRUCTIONS.

Work Area

- Keep Your Work Area Clean and Well Lit.
- Cluttered benches and dark areas invite accidents.
- Do not operate power tools in explosive atmospheres, such as in the presence of flammable liquids, gases, or dust. Power tools create sparks which may ignite the dust or fumes.
- Keep bystanders, children, and visitors away while operating a power tool. Distractions can cause you to lose control.

Electrical Safety

- Grounded tools must be plugged into an outlet properly installed and grounded in accordance with all codes and ordinances. Never remove the grounding prong or modify the plug in any way. Do not use any adaptor plugs. Check with a qualified electrician if you are in doubt as to whether the outlet is properly grounded. If the tools should electrically malfunction or break down, grounding provides a low resistance path to carry electricity away from the user. (Refer to figure A below)
- Avoid body contact with grounded surfaces such as pipes, radiators, ranges and refrigerators. There is an increased risk of electric shock if your body is grounded.
- Don't expose power tools to rain or wet conditions. Water entering a power tool will increase the risk of electric shock.
- Do not abuse the cord. Never use the cord to carry the tools or pull the plug from an outlet. Keep cord away from heat, oil, sharp edges or moving parts. Replace damaged cords immediately. Damaged cords increase the risk of electric shock.
- When operating a power tool outside, use an outdoor extension cord marked "W-A" or "W." These cords are rated for outdoor use and reduce the risk of electric shock.

(Note) When using an extension cord, be sure to use one heavy enough to carry the current your product will draw. An undersized cord will cause a drop in line voltage resulting in loss of power and overheating. Jancy recommends using a minimum 12 gauge extension cord not to exceed 100 feet. The table below (Figure B) is supplied only as a guide to minimum gauge for extension cords, where the smaller the gauge number, the heavier the cord.

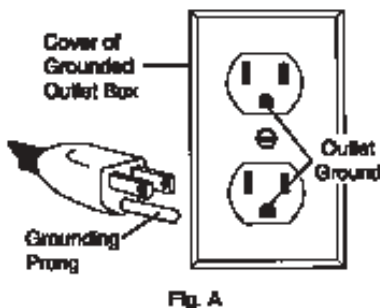


Fig. A

MINIMUM GAUGE FOR EXTENSION CORDS				
VOLTS	TOTAL LENGTH OF CORD IN FEET			
	0-25	26-50	51-100	101-150
120V	0-25	26-50	51-100	101-150
240V	0-50	51-100	101-200	201-300
AMPERAGE				
0-6	18	16	16	14
6-10	18	16	14	12
10-12	16	16	14	12
12-16	14	12	NOT RECOMMENDED	
RECOMMENDED WIRE GAUGE				

*JANCY RECOMMENDS USING A MINIMUM 12 GAUGE EXTENSION CORD NOT TO EXCEED 100 FEET. FIG. B.

GENERAL SAFETY RULES (cont.)

Personal Safety

- **Stay alert, watch what you are doing and use common sense when operating a power tool. Do not use tool while tired or under the influence of drugs, alcohol, or medication.** A moment of inattention while operating power tools may result in serious personal injury.
- **Dress properly. Do not wear loose clothing or jewelry. Contain long hair. Keep your hair, clothing, and gloves away from moving parts.** Loose clothes, jewelry, or long hair can be caught in moving parts.
- **Avoid accidental starting. Be sure switch is off before plugging in.** Carrying tools with your finger on the switch or plugging in tools that have the switch on invites accidents.
- **Remove adjusting keys or switches before turning the tool on.** A wrench or a key that is left attached to a rotating part of the tool may result in personal injury.
- **Do not overreach. Keep proper footing and balance at all times.** Proper footing and balance enables better control of the tool in unexpected situations.
- **Use safety equipment. Always wear eye protection.** Dust mask, non-skid safety shoes, hard hat, or hearing protection must be used for appropriate conditions.

Tool Use and Care

- **Use clamps or other practical way to secure and support the workpiece to a stable platform.** Holding the work by hand or against your body is unstable and may lead to loss of control.
- **Do not force tool. Use the correct tool for your application.** The correct tool will do the job better and safer at the rate for which it is designed.
- **Do not use tool if switch does not turn it on or off.** Any tool that cannot be controlled with the switch is dangerous and must be repaired.
- **Disconnect the plug from the power source before making any adjustments, changing accessories, or storing the tool.** Such preventive safety measures reduce the risk of starting the tool accidentally.
- **Store idle tools out of reach of children and other untrained persons.** Tools are dangerous in the hands of untrained users.
- **Maintain tools with care. Keep cutting tools sharp and clean.** Properly maintained tools, with sharp cutting edges are less likely to bind and are easier to control.
- **Check for misalignment or binding of moving parts, breakage of parts, and any other condition that may affect the tools operation. If damaged, have the tool serviced before using.** Many accidents are caused by poorly maintained tools.
- **Use only accessories that are recommended by the manufacturer for your model.** Accessories that may be suitable for one tool, may become hazardous when used on another tool.

SERVICE

- **Tool service must be performed only by qualified repair personnel.** Service or maintenance performed by unqualified personnel could result in a risk of injury.
- **When servicing a tool, use only identical replacement parts. Follow instructions in the Maintenance section of this manual.** Use of unauthorized parts or failure to follow Maintenance Instructions may create a risk of electric shock or injury.

SPECIFIC SAFETY RULES AND SYMBOLS

WARNING!

DO NOT OPERATE MACHINE IF WARNING AND/OR INSTRUCTION LABELS ARE MISSING OR DAMAGED.
CONTACT JANCY ENGINEERING FOR REPLACEMENT LABELS.



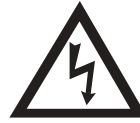
EYE PROTECTION
REQUIRED



HEARING PROTECTION
REQUIRED



NEVER PLACE
FINGERS NEAR
CUTTING AREA



LINE VOLTAGE
PRESENT



BEWARE OF
ROTATING
MACHINE PARTS



Vvolts
Aamperes
Hzhertz
minminutes
sseconds
~alternating current
n_ono load speed

1. If you require an additional manual, please contact Jancy Engineering at (563) 391-1300 for a **FREE** copy.
2. Only use specified and approved saw blades.
3. Keep saw blades securely fastened.
4. Do not use dull or broken blades.
5. Beware of chips ejected. They become **HOT** during the cut.
6. Always make safe provisions for handling of excess material.
7. Keep bottom of base plate free from dirt and other debris.

SPECIFIC SAFETY RULES (cont.)

- **DANGER!** — Keep hands and body away from and to the side of the blade. Contact with blade will result in serious injury.

- **WARNING!** — To reduce the risk of injury, check lower guard. It must close instantly! Hold saw with both hands. Support and clamp work. Wear eye protection.

Additional Specific Safety Rules:

DANGER! Keep hands away from cutting area and blade. Keep your second hand on auxiliary handle, or motor housing. If both hands are holding the saw, they cannot be cut by the blade.

- **Keep your body positioned to either side of the saw blade, but not in line with the saw blade.** KICKBACK could cause the saw to jump backwards. (See "Causes and Operator Prevention of Kickback.")
- **Do not reach underneath the work.** The guard can not protect you from the blade below the work.
- **Check lower guard for proper closing before each use. Do not operate saw if lower guard does not move freely and close instantly. Never clamp or tie the lower guard into the open position.** If saw is accidentally dropped, lower guard may be bent. Raise the lower guard and make sure it moves freely and does not touch the blade or any other part, in all angles and depths of cut.
- **Check the operation and condition of the lower guard spring. If the guard and the spring are not operating properly, they must be serviced before use.** Lower guard may operate sluggishly due to damaged parts, gummy deposits, or a buildup of debris.
- **Always observe that the lower guard is covering the blade before placing saw down on bench or floor.** An unprotected, coasting blade will cause the saw to walk backwards, cutting whatever is in its path. Be aware of the time it takes for the blade to stop after switch is released.
- **NEVER hold piece being cut in your hands or across your leg.** It is important to support the work properly to minimize body exposure, blade binding, or loss of control.
- **Hold tool by insulated gripping surfaces when performing an operation where the cutting tool may contact hidden wiring or its own cord.** Contact with a "live" wire will also make exposed metal parts of the tool "live" and shock the operator.
- **When ripping always use a rip fence or straight edge guide.** This improves the accuracy of cut and reduces the chance for blade binding.
- **Always use blades with correct size and shape (diamond vs. round) arbor holes.** Blades that do not match the mounting hardware of the saw will run eccentrically, causing loss of control.
- **Never use damaged or incorrect blade washers or bolts.** The blade washers and bolt were specially designed for your saw, for optimum performance and safety of operation.

SPECIFIC SAFETY RULES (cont.)

CAUSES AND OPERATOR PREVENTION OF KICKBACK:

Kickback is a sudden reaction to a pinched, bound or misaligned saw blade, causing an uncontrolled saw to lift up and out of the workpiece toward the operator. When the blade is pinched or bound tightly by the kerf closing down, the blade stalls and the motor reaction drives the unit rapidly back toward the operator. If the blade becomes twisted or misaligned in the cut, the teeth at the back edge of the blade can dig into the top surface of the material causing the blade to climb out of the kerf and jump back toward operator. Kickback is the result of tool misuse and/or incorrect operating procedures or conditions and can be avoided by taking proper precautions as given below:

Maintain a firm grip with both hands on the saw and position your body and arm to allow you to resist KICKBACK forces. KICKBACK forces can be controlled by the operator, if proper precautions are taken.

When blade is binding, or when interrupting a cut for any reason, release the trigger and hold the saw motionless in the material until the blade comes to a complete stop. Never attempt to remove the saw from the work or pull the saw backward while the blade is in motion or KICKBACK may occur. Investigate and take corrective actions to eliminate the cause of blade binding.

When restarting a saw in the workpiece, center the saw blade in the kerf and check that saw teeth are not engaged into the material. If saw blade is binding, it may walk up or KICKBACK from the workpiece as the saw is restarted.

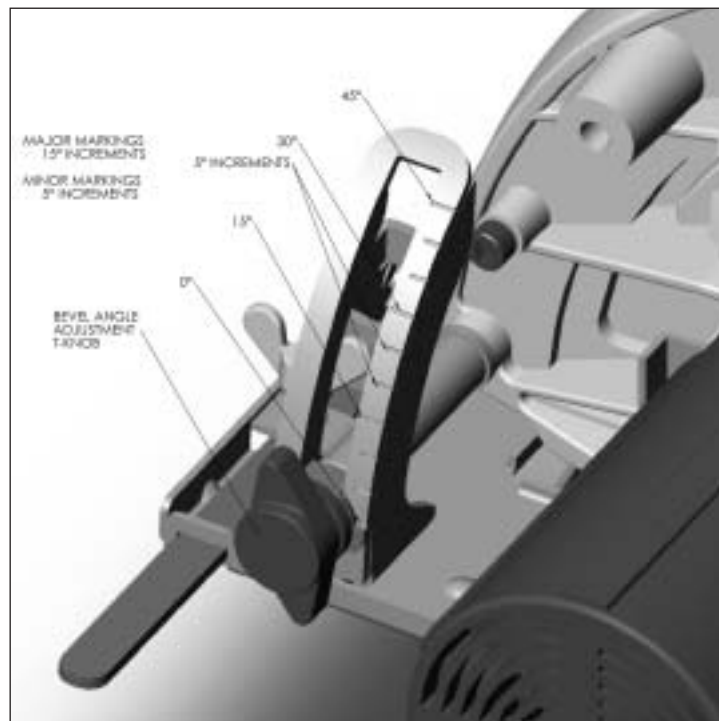
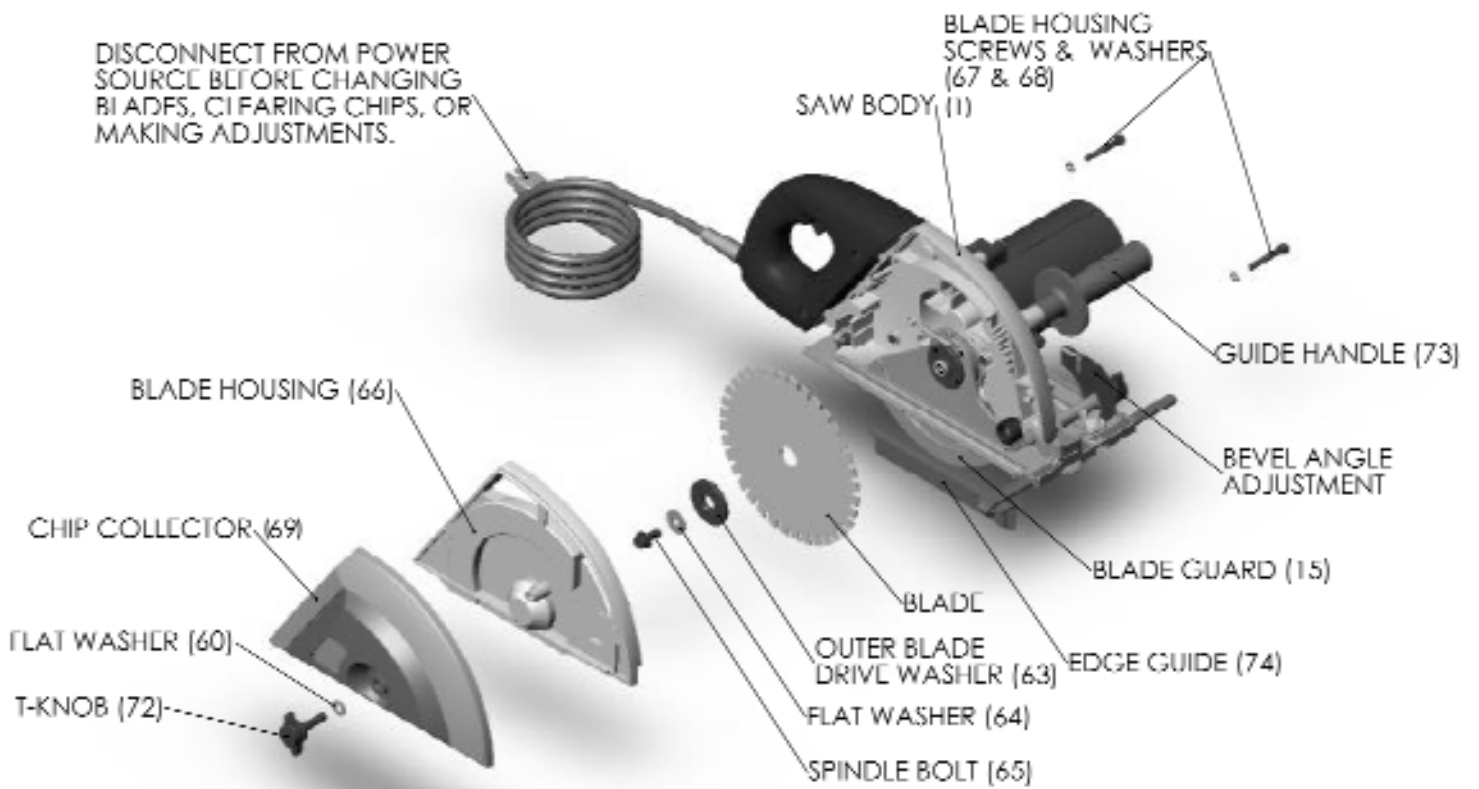
Support large panels to minimize the risk of blade pinching and KICKBACK. Large panels tend to sag under their own weight. Supports must be placed under the panel on both sides, near the line of cut and near the edge of the panel.

Do not use dull or damaged blade. Unsharpened or improperly set blades produce narrow kerf causing excessive friction, blade binding and KICKBACK.

Blade depth and bevel adjusting locking levers must be tight and secure before making cut. If blade adjustment shifts while cutting, it may cause binding and KICKBACK.

Use extra caution when making a "Pocket Cut" into existing walls or other blind areas. The protruding blade may cut objects that can cause KICKBACK.

FUNCTIONAL DESCRIPTION



ASSEMBLY

Remove all contents from packaging and inspect to ensure no damage was incurred during shipping. Your Slugger Metal Cutter package should also include the following:

DESCRIPTION	PART #	QTY
OPERATOR'S MANUAL	LIT113	1
EARPLUGS, 3M-1100	MC702301	1
SAFETY GOGGLES	MC702302	1
HEX KEY, M6	058112	1
HEX KEY, M5	0070588	1
GUIDE HANDLE	MC731510	1
7" STEEL BLADE (OPTIONAL)	MCBL07	1
SAFETY VIDEO	MC795103	1
CARRYING CASE	MC731514	1

GETTING STARTED

CAUTION!

ALWAYS DISCONNECT THE SAW FROM POWER SOURCE BEFORE MAKING ADJUSTMENTS.

Refer to the "Functional Description" on page 8 and "Assembly" drawing on page 10. Assemble guide handle (item# 73) to machine housing. If required, assemble edge guide (item# 74) to base plate (item# 54), and adjust fence gate to desired position. Secure with thumb screw. If a blade has not been installed, install an authorized saw blade as detailed in the "Changing Saw Blades" section (page 14).

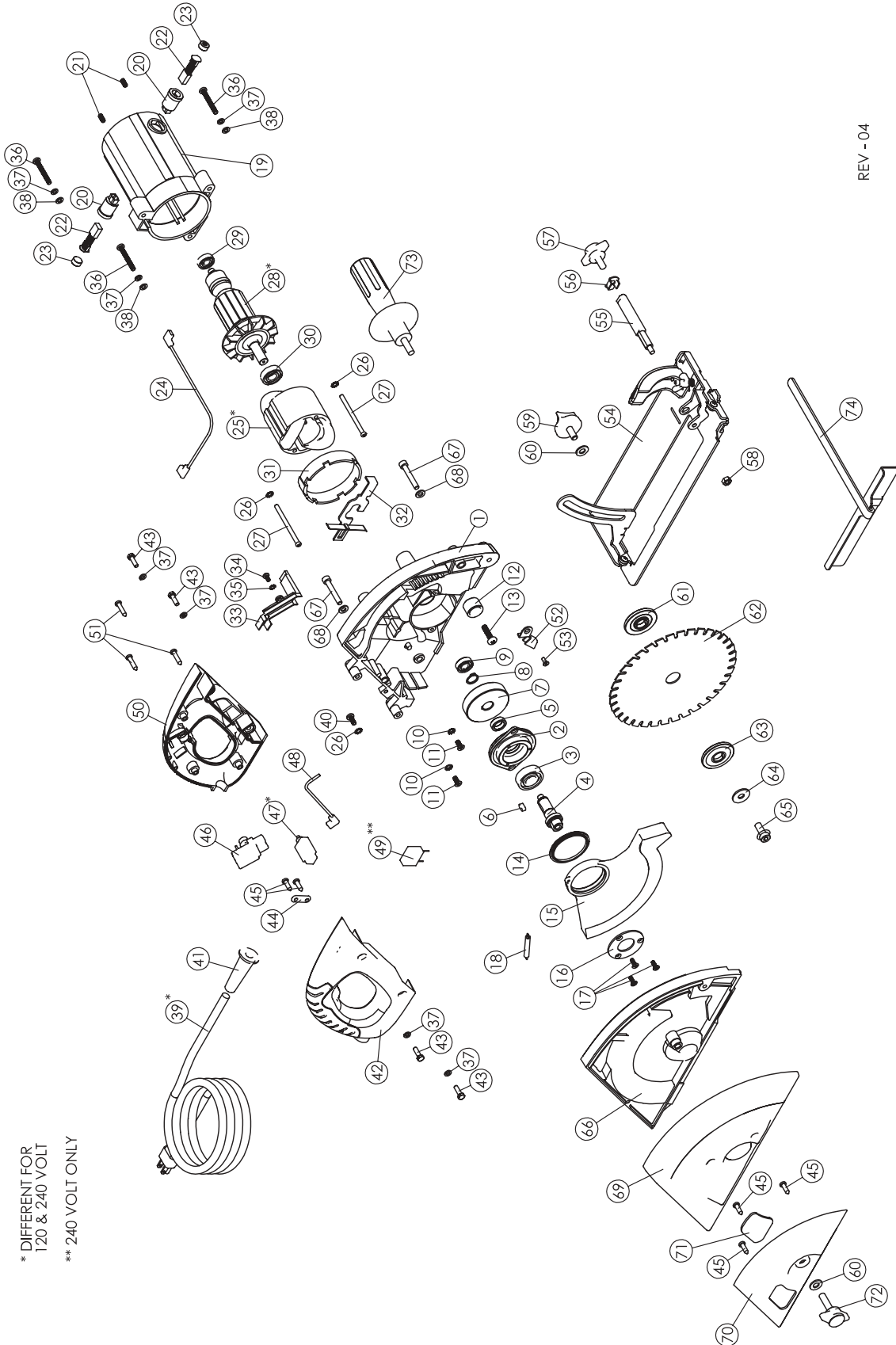
USE ONLY JANCY CERTIFIED BLADES TO AVOID DAMAGE TO MACHINE!

#MCBL07	(mild steel)
#MCBL07ALM	(aluminum)
#MCBL07SS	(stainless Steel)

**Do not use machine continuously
for over 30 minutes.**

Saw blade diameter · 180mm
Cutting depth · 51mm

ASSEMBLY (cont.)



REV - 04

* DIFFERENT FOR
120 & 240 VOLT
** 240 VOLT ONLY

SAW PARTS LIST

ITEM	DESCRIPTION	PART #	QTY
1	MAIN FRAME	MC710004	1
2	PLATE, SPINDLE BEARING SUPPORT	MC710003	1
3	BEARING, BALL 6202 SHIELDED	MC701126	1
4	SPINDLE	MC751911	1
5	SPACER 14 X 20 X 6.2	MC720110	1
6	KEY, SPINDLE	MC751902	1
7	GEAR, 44T	MC751901	1
8	RETAINING RING, EXT M14	MC751113	1
9	BEARING, BALL 608 SHIELDED	MC772013	1
10	WASHER, SERR C-SINK M5 JIS 1252-C	MC751136	2
11	SCR, CRPHMS M5 X 12 JIS B 1111	0151186	2
12	BUMPER, BLADE GUARD	MC731512	1
13	SCR, CRPHMS M6 X 25 JIS B 1111	MC751112	1
14	WASHER, BLADE GUARD SLIP	MC720111	1
15	BLADE GUARD	MC710005	1
16	WASHER, BLADE GUARD RETAINING	MC751903	1
17	SCR, CRPHMS M4 X 12 JIS B 1111	MC751128	3
18	SPRING, BLADE GUARD RETURN	MC751406	1
19	MOTOR HOUSING	MC731508	1
20	BRUSH HOLDER	MC731509	2
21	SCR, SSS M5 X 12 CUP POINT JIS B 1177	MC751123	2
22	MOTOR BRUSH	MC772014	2
23	BRUSH CAP	MC772015	2
24	WIRE ASSEMBLY 16 AWG X 550MM RED	MC770503	1
25*	FIELD - 120V	MC772002	1
	FIELD - 240V	MC772004	
26	WASHER, EXT SERR M5 JIS B 1252-B	06781	3
27	SCR, TAPPING CRPH M4.8 X 70 JIS B 1115-AB	MC751109	2
28*	ARMATURE - 120V	MC772001	1
	ARMATURE - 240V	MC772003	
29	BEARING, BALL 608 SEALED	04544	1
30	BEARING, BALL 6001 LU	04543	1
31	FAN SHROUD	MC731507	1
32	SPINDLE LOCK	MC720001	1
33	WIRE GUARD	MC731506	1
34	SCR, CRPHMS M4 X 8 JIS B 1111	04820	1
35	WASHER, EXT SERR M4 JIS B 1252-B	06773	1
36	SCR, CRPHMS M5 X 40 JIS B 1111	MC751110	3
37	WASHER, SPRING LOCK M5 JIS B 1251 #2.5	0151534	7

ITEM	DESCRIPTION	PART #	QTY
38	WASHER, FLAT M5 JIS B 1256	MC751142	3
39*	POWER CORD, 16-3 SEOOOW	MC770501	1
	POWER CORD, 1.5MM 250V C-EUROPE	MC770505	
40	SCR, CRPHMS M5 X 12 JIS B 1111	MC751107	1
41	STRAIN RELIEF	MC770502	1
42	HANDLE, RIGHT SIDE	MC731504	1
43	SCR, HHCS M5 X 16 JIS B 1180	MC751102	4
44	STRAIN RELIEF STRAP	MC731515	1
45	SCR, TAPPING CRPH M3.9 X 16 JIS B 1115-AB	MC751101	5
46	TRIGGER SWITCH	MC772101	1
47*	CIRCUIT BREAKER, 8 AMP 125 V	MC772102	1
	CIRCUIT BREAKER, 4 AMP 250 V	MC772103	
48	WIRE ASSEMBLY 16 AWG X 350MM RED	MC770504	1
49	CAPACITOR, EMC FILTER	MC790101	1
50	HANDLE, LEFT SIDE	MC731505	1
51	SCR, TAPPING CRPH M3.9 X 22 JIS B 1115-AB	MC751105	3
52	CHIP DEFLECTOR	MC720113	1
53	SCR, FHSCS M4 X 10 DIN 7991	06771	1
54	BASE PLATE ASSEMBLY	MC720121	1
55	CONNECTING ROD	MC720201	1
56	BEVEL ANGLE GAGE	MC720106	1
57	TKNOB M8 X 18 STUD JIS B 1180	MC731516	1
58	M6 NYLOCK NUT	MC751130	1
59	KNOB, DEPTH ADJUSTMENT	MC731517	1
60	WASHER, FLAT M8 JIS B 1256	MC751116	2
61	WASHER, INNER BLADE DRIVE	MC741802	1
62	BLADE (NOT INCLUDED)	OPTIONAL	1
63	WASHER, OUTER BLADE DRIVE	MC741801	1
64	WASHER, FLAT M8 OVERSIZE	MC751104	1
65	SCR, SERR FLNG SHCS M8 X 16	MC751103	1
66	BLADE HOUSING	MC710002	1
67	SCR, SHCS M6 X 40 JIS B 1176	0070527	2
68	WASHER, FLAT M6 JIS B 1256	MC751118	2
69	CHIP COLLECTOR	MC710001	1
70	TRIM COVER	MC731502	1
71	SIGHT GLASS	MC731503	1
72	TKNOB M8 X 32 STUD JIS B 1180	MC731501	1
73	GUIDE HANDLE	MC731510	1
74	EDGE GUIDE	MC720108	1

*Different for 120 & 240 volt models.

WHAT YOU SHOULD KNOW BEFORE SAWING

1. Type of material to be cut, (which determines blade selection) thickness and position should all be determined to ensure proper performance.
2. Remove any excessive mill scale or rust from surface to be cut.
3. Material that has been flame cut may have become heat treated and therefore difficult to cut. Avoid sawing near such areas whenever possible.

OPERATION

1. The surface you are working on should be clean and level, free from rust, scale, dirt and chips.
2. Adjust the base plate to the desired bevel angle by loosening and then re-tightening the T-knob (item# 57).
3. For long, straight cuts in sheet stock, position the edge guide to the desired width and secure with thumb screw.
4. Adjust base plate for proper cutting depth. Secure using depth adjustment knob (item# 59).
5. Connect machine to power source.
6. Firmly grasp guide handle and trigger handle switch (item# 46).

WARNING!

NEVER START SAW MOTOR WITH CUTTING EDGE OF SAW BLADE CONTACTING WORK SURFACE.
DO NOT RETRACT BLADE GUARD (ITEM# 15) MANUALLY. GUARD RETRACTS AUTOMATICALLY.

7. Position saw base plate on work surface near desired cutting area.
8. Depress and hold trigger switch lockout mechanism (item# 46).
9. When ready, start saw motor by activating trigger switch (item# 46).
10. Slowly approach material edge and gently apply pressure until saw blade has established a cutting groove in the material.
11. During remainder of cut apply smooth, constant pressure without overloading saw motor.

WARNING!

THIS MACHINE'S CIRCUITRY WILL AUTOMATICALLY SHUT THE SAW MOTOR OFF IF EXCESSIVE OVERLOAD IS MAINTAINED.
IF SAW MOTOR SHOULD STALL OR STOP BEFORE A COMPLETE CUT IS MADE ALWAYS REMOVE BLADE FROM MATERIAL
BEFORE ATTEMPTING TO RESTART MOTOR. FAILURE TO DO SO COULD RESULT IN PERSONAL INJURY.

AFTER THE CUT

1. After the cut, release trigger switch to "OFF" position. Wait until saw motor completely stops.
2. Place saw on secure and level surface.

OPERATION (cont.)

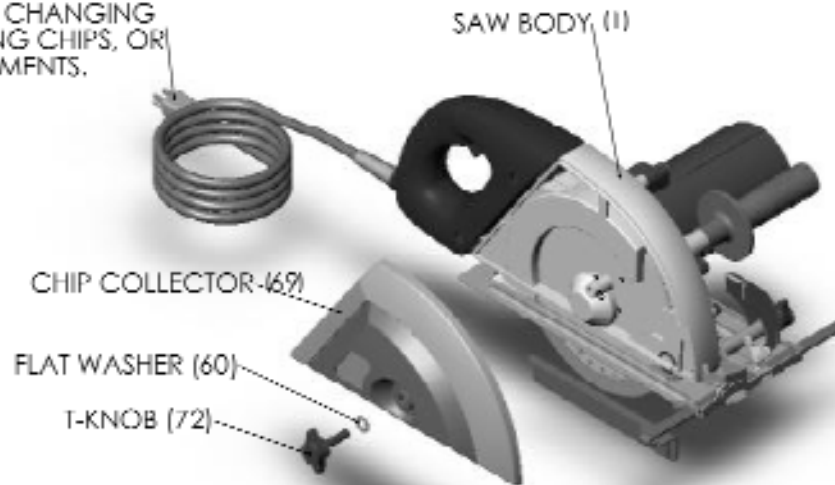
CHIP COLLECTOR

⚠ WARNING!

ALWAYS DISCONNECT THE SAW FROM POWER SOURCE BEFORE CHANGING BLADES, CLEARING CHIPS OR MAKING ADJUSTMENTS.

1. Remove the T-knob and flat washer securing chip collector.
2. Remove chip collector from side panel of saw.
3. Empty chip collector, using a chip brush to thoroughly remove chips and debris from saw body.
4. Install chip collector on saw and fasten securely using T-knob and flat washer.

DISCONNECT FROM POWER SOURCE BEFORE CHANGING BLADES, CLEARING CHIPS, OR MAKING ADJUSTMENTS.



WHAT TO DO IF OVERLOAD SHOULD TRIP

1. If the overload circuit breaker should trip (item #47), disconnect plug from power source.
2. Allow sufficient time for machine to cool down.
3. Depress overload circuit breaker reset switch. Call Jancy Engineering Company if circuit breaker continues to trip.

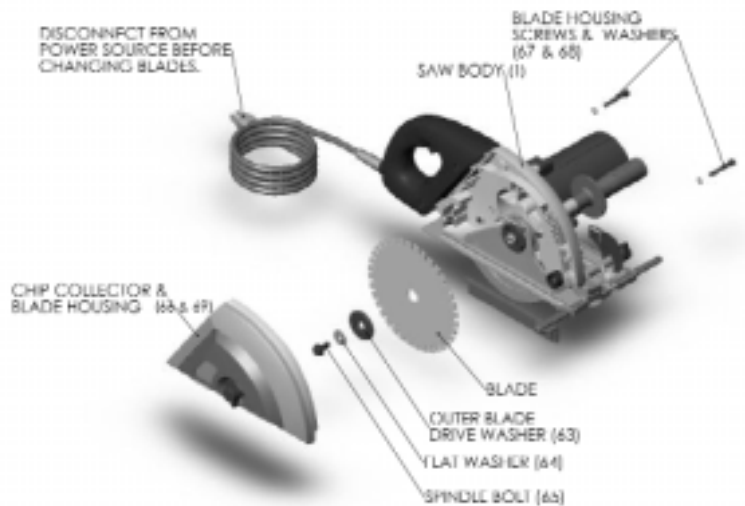
MAINTENANCE

WARNING!

ALWAYS DISCONNECT THE SAW FROM POWER SOURCE BEFORE CHANGING BLADES, CLEARING CHIPS OR MAKING ADJUSTMENTS.

CHANGING SAW BLADES

1. Place saw on level, secure surface.
2. Remove two (2) saw blade housing screws and washers (item# 67 and item# 68).
3. Remove chip collector and blade housing (item # 66 and item 69).
4. Engage spindle lock (item# 32).
5. Using supplied 6mm allen wrench, loosen and remove spindle bolt and flat washer (item# 64 and item# 65).
6. Remove outer blade drive washer (item# 63) and saw blade.
7. Reverse process to install new blade.



ACCESSORIES

THE FOLLOWING METAL CUTTER ACCESSORIES ARE AVAILABLE

Saw Blades	Application	Part #
	For cutting mild steel to 5/16"	MCBL07
	For cutting aluminum to 3/8"	MCBL07ALM
	For cutting stainless steel to 1/4"	MCBL07SS

TROUBLESHOOTING CHECKLIST

SLUGGER 7" METAL CUTTER

MCSL07, MCSL07-2

1. Low Blade Life/Teeth Chipping

- Wrong blade for the type of material.
 - a. MCBLO7 for mild steel up to 5/16" solid.
 - b. MCBLO7ALM for aluminum up to 3/8" solid.
 - c. MCBLO7SS for stainless steel up to 1/4" solid.
- Aggressive contact with blade into material. Let the blade do the work.
- Too much vibration due to insufficient clamping, worn or bent blade, or worn parts (see "Saw Vibrates" below).

2. Machine will not turn on

- Check overload. If it has been tripped, it will extend out. Push in after allowing saw to cool down to re-set. (PN MC772102) Check continuity.
- Inspect power cord for damage. Check continuity. Replace if needed. (PN MC770501)
- Inspect brushes for excessive wear. Replace if needed. (PN MC7702014)
- Do not exceed 30 minutes run time without cool down of saw.
- Check trigger switch for continuity. Replace if needed. (PN 772101)

3. Losing Power

- Inspect brushes and replace if needed. Part # MC772014 (2)
- Extension cord too long. Limit cord length to 100'.
- Extension cord too thin. Use 12 AWG or larger.

4. Blade Guard Sticks

- Remove guard and remove any foreign material. Wipe any excess material from guard & face plate. If contact surface of guard or face plate is galled, use emery cloth or fine sandpaper to smooth out surfaces. Guard must move freely. Use light grease on mating contact surfaces to aid in movement.
- Check guard return spring for sufficient tension. Replace if spring is weak. (PN MC751406)
- Check guard for distortion. Replace if distorted or damaged. (PN 710005)

5. Blade Spins on Spindle

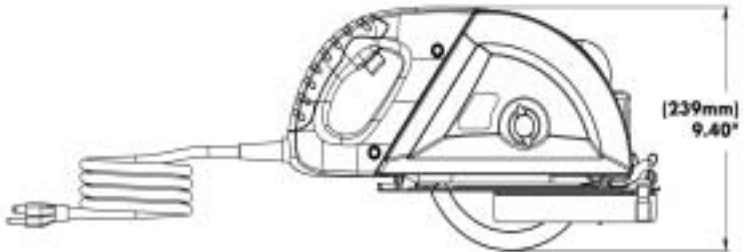
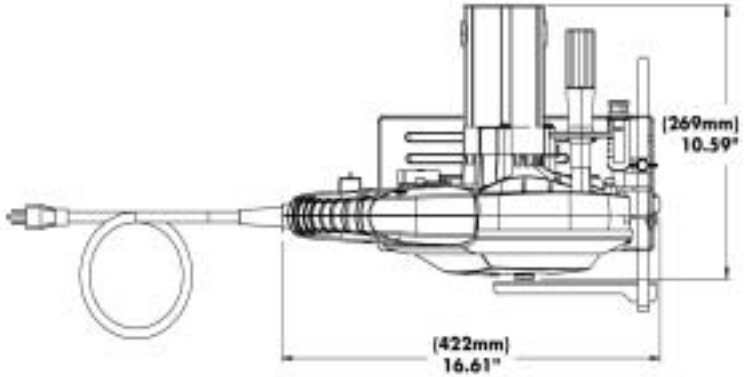
- Check for proper tightness and installation. Inspect Inner blade flange (PN MC741802) and outer blade flange centering shoulder (PN MC74180) for wear or damage. If the flanges are allowed to slip too many times, they will no longer hold the blade properly. Replace if wear is excessive.
- Check flange mating surfaces for flatness. Replace if excessive distortion exists.
- Check to ensure flat washer and lock washer are present between bolt head and outer blade flange.

6. Saw Vibrates

- Check blade for tightness.
- Inspect inner blade flange (PN MC741802) and outer blade flange (PN MC74180) centering shoulder for wear or damage. Replace if needed.
- Check to ensure work is properly clamped. Both primary and drop piece can cause vibration.
- Check bevel lock and depth lock for tightness. (PN MC731516 and PN MC720103)

SPECIFICATIONS

DIMENSIONS AND SPECIFICATIONS	
Height	239mm (9.4")
Width	269mm (10.59")
Length	422mm (16.61")
Weight	6.2 kg (13.6 lbs.)
Motor	120V - 1200W / 240V - 1200W 50~60 Hz / 3500 RPM
Blade Arbor	20mm (0.787")
Blade Diameter	180mm (7")
Depth of Cut/Pipe or Angle (maximum)	51 mm (2")
Depth of Cut/Plate or Bar (maximum)	8mm Mild Steel (5/16")
	9.5mm Aluminum (3/8")
	6.5 Stainless Steel (1/4")
Case Dimensions	460mm H (18")
	546mm W (21.5")
	280mm D (11")



YOUR DISTRIBUTOR



JANCY ENGINEERING COMPANY

MANUFACTURER OF SLUGGER® CENTERFREE CUTTERS AND PORTABLE MAGNETIC DRILLING MACHINES

Tel · 563.391.1300 or Fax · 563.391.2323

2735 Hickory Grove Road · Davenport, Iowa 52804

email · jancy@jancy.com / web · jancy.com